

ELECTRIC HEATING

CALDOPRO PLUS



PROFESSIONAL FAN HEATERS PORTABLE AND FOR WALL INSTALLATION

Range and product specifications

- 3 models: different power (3 to 5 kW) and supply voltage (single and three phase).
- Cylindrical steel body sealed at the ends by intake and outlet grilles.
- Fan motor unit with single speed shielded pole motor. Aluminium 5-blade fan keyed onto the driving shaft.
- Control panel located on the main cylindrical casing, in ABS, self-extinguishing V0, painted with integrated carrying handle.
- Mechanical timer max 180 minutes for setting delayed switch-off.
- Support feet in painted, bent steel sheet with anti-vibration supports.
- Supply cable with industrial 4-pole safety plug for three-phase models and schuko plug for the single phase model, nominal cable length 1800 mm.

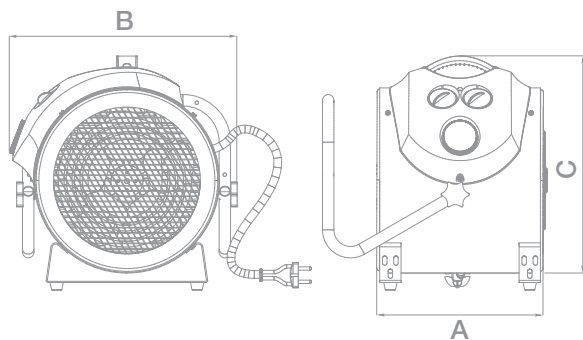


KEY FEATURES

- Used for heating: worksites, shops, warehouses and homes.
- Splashproof (protection IPX4) particularly suited also for use in the presence of water.
- Bulb-type thermostat guarantees greater reading accuracy.



DIMENSIONS



Models	Code	A	B	C	Kg
CALDOPRO PLUS 3000 M	70805	250	330	340	5,4
CALDOPRO PLUS 3000 T	70806	250	330	340	5,4
CALDOPRO PLUS 5000 T	70807	250	330	340	5,4

TECHNICAL DATA

MODELS	Code	V	Hz	W	A	Cl.	IP
CALDOPRO PLUS 3000 M	70805	230	50	3000	13	⊕ cl.I	X4
CALDOPRO PLUS 3000 T	70806	400	50	3000	4.3	⊕ cl.I	X4
CALDOPRO PLUS 5000 T	70807	400	50	5000	7.2	⊕ cl.I	X4

APPLICATIONS

